

marantz
PROFESSIONAL

MPM-500A

Large-Diaphragm Condenser Microphone

User Guide

Guía del usuario

Guide d'utilisation

Guida per l'uso

Benutzerhandbuch

Box Contents

Contenido de la caja

Contenu de la boîte

Contenuti della confezione

Lieferumfang



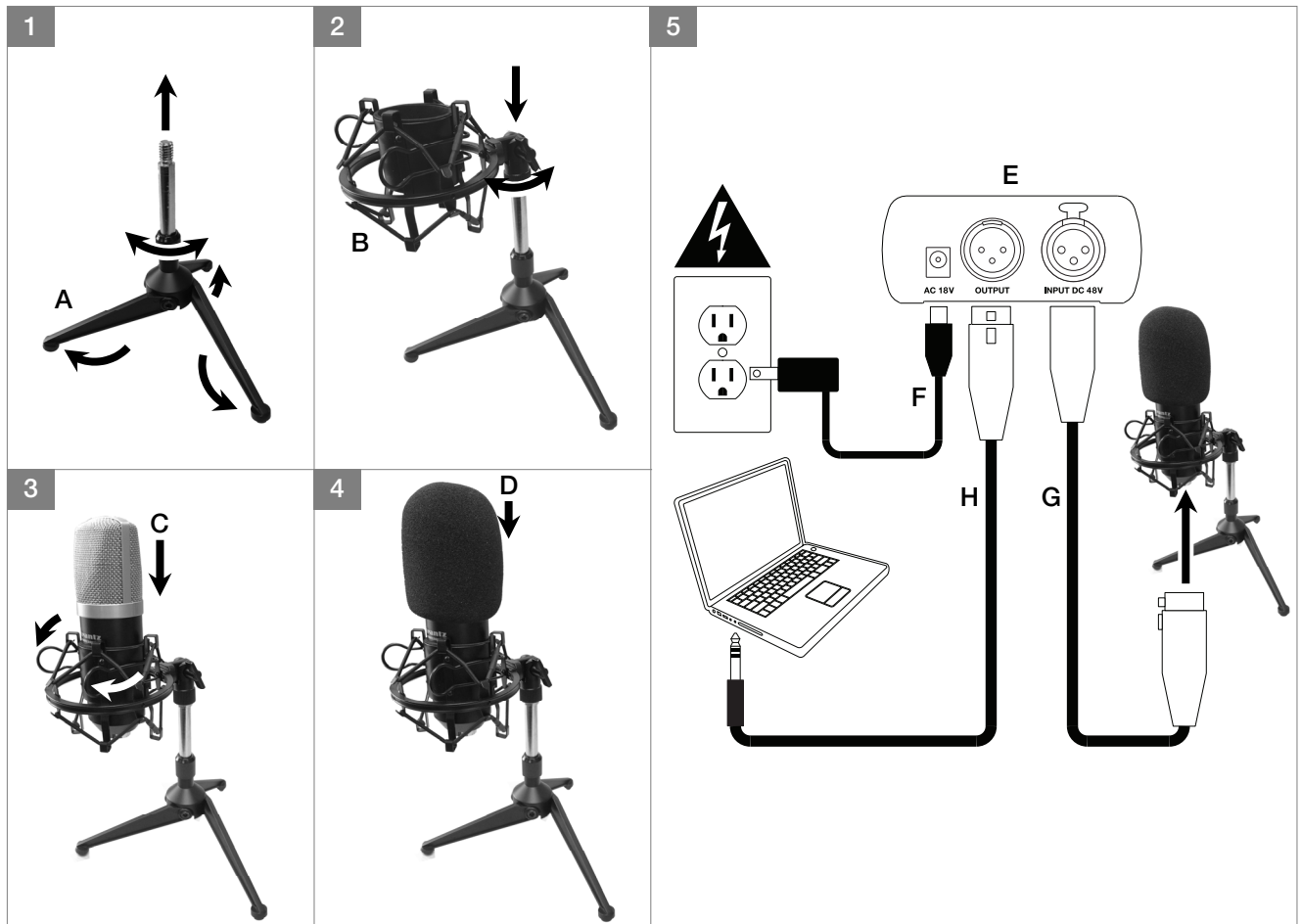
Assembly

Armado

Montage

Montaggio

Montage



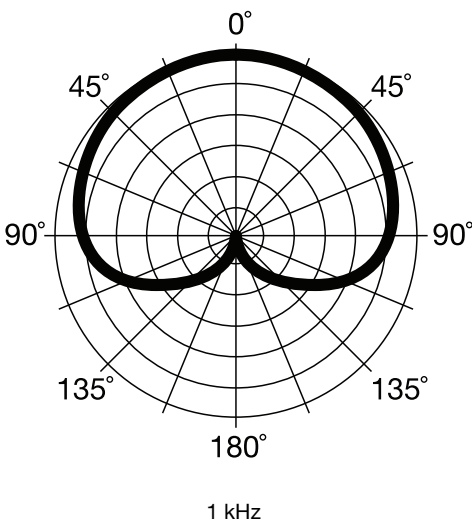
Technical Specifications
 Especificaciones técnicas
 Spécifications techniques

Specifiche tecniche
 Technische Daten

Type	Back-electret condenser
Polar Pattern	Cardioid
Frequency Response	30–20000 Hz
Sensitivity	-34 dBV/Pa (± 2 , @ 1KHz)
Impedance	Output: 400 Ω ($\pm 30\%$, @ 1 KHz) Load: $\geq 1000 \Omega$
Equivalent Noise	18 dBA
Maximum SPL	140 dB (THD = 1%, 1 KHz)
Signal-to-Noise Ratio	72 dB
Dynamic Range	110 dB
Power Requirement	48 V phantom power
Dimensions (length x diameter)	5.9" x 1.8" 150 x 45
Weight	0.77 lbs. 0.35 kg

Polar Pattern
 Patrón polar
 Diagramme polaire

Figura polare
 Polardiagramm



Frequency Response
 Respuesta en frecuencia
 Réponse en fréquence

Risposta di frequenza
 Frequenzgang

